

LED Puck Light Installation Instructions

Installation instructions for LVP Series

WARNING: These products may represent a possible shock or fire hazard if improperly installed or attached in any way. Products should be installed in accordance with these instructions, current electrical codes and/or the current National Electric Code (NEC). Disconnect power to the unit prior to installation.

NOTE: There are two power supply delivery systems available for the Dimmable LED Puck Lights:
I). a 15-volt, 9-watt plug-in LED driver and a 3-port power connection hub with attached dimmer and
II). a 15-volt, 15-watt plug-in LED driver and a 6-port power connection hub with attached dimmer.

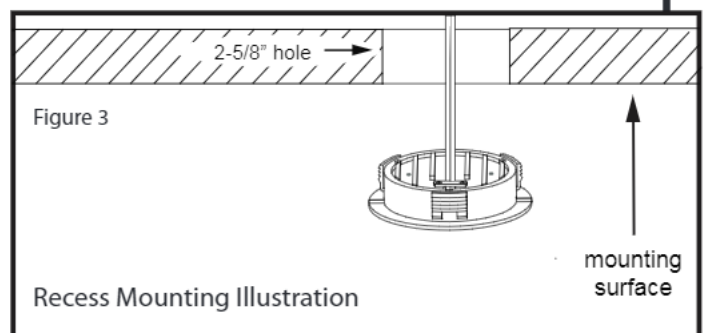
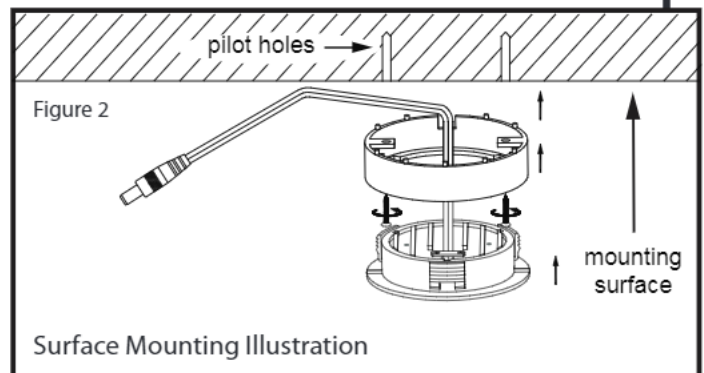
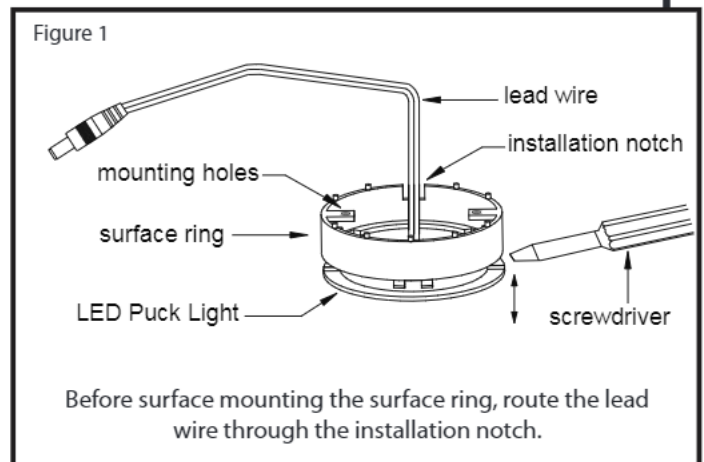
The maximum number of pucks that can be powered from one power supply is limited by the number of ports in a power connection system and the capacity of the power supply itself.

CAUTION: Do not alter the power supply or dimmer. Do not cut off or remove any power connection jacks. This will void the warranty, and likely cause the product to fail. The LED Puck Light is designed for plug-in use only.

WARNING! Risk of fire and electric shock. Make sure to shut off power at source before beginning installation or servicing of any kind. Please read these instructions before attempting to assemble, operate or install the product. For indoor use only.

SURFACE MOUNTING:

1. Remove the surface ring by holding the surface ring with your fingers and pushing the puck out from the back using your thumbs on the back of the puck light. Alternatively, you can locate the line where the surface ring and LED Puck Light meet and carefully use a flat screwdriver to separate the two parts. See Figure 1.
2. Determine desired locations for each puck and mark the locations of the mounting holes on the mounting surface, using the surface ring as a template. Note: Each puck light has a five foot lead wire which needs to be routed to the power connection hub. Be sure to locate the puck lights and power hub such that each puck can reach a port.
3. Before surface mounting the puck light's surface ring, route the lead wire through the installation notch. Drill 1/8" pilot holes into the mounting surface where marked, and secure surface ring to mounting surface using mounting screws included. See Figure 2.
4. Gently push the puck light into the surface ring until it is fully seated, making sure that the lead wire is not pinched or crimped in any way. See Figure 2.
5. See POWER CONNECTION on reverse for next steps.

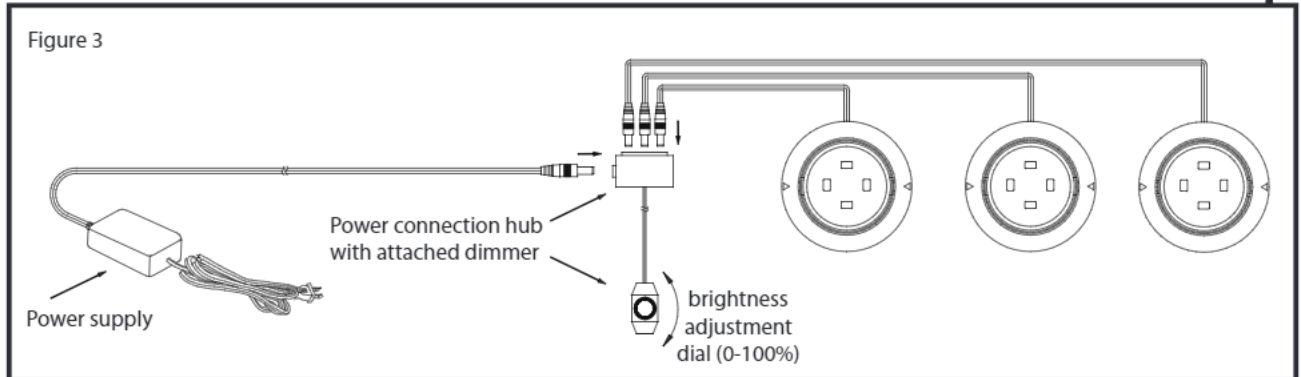


LED Puck Light Installation Instructions

Installation instructions for LVP Series (continued from reverse)

POWER CONNECTION:

1. Determine best location for the power connection hub with attached dimmer, considering that the five foot lead wire from each puck will need to reach to a port. See Figure 3.
2. Install the power hub connection using the mounting screws included. Route each of the lead wires from the puck lights to an available port.
3. Connect the power supply's connector to the power connection hub as shown in Figure 3 below and plug in power supply to a 120V AC wall outlet (receptacle).



WARNING! Risk of shock. Disconnect power to the unit before installing.

1. By combining a 5-pack set of puck lights and a single puck, you can create a set of six puck lights. This is the maximum number of pucks that can be connected to one power supply. Do not exceed the maximum.
2. Do not attempt to remove or change the LEDs in these fixtures.
3. Do not route wires through walls, floors or ceilings.
4. Route cords so they will not be pinched or damaged.
5. Do not alter plugs or connectors.
6. Not intended for recessed installation inside enclosed cabinetry (cabinetry that is not open at the top).

ADDITIONAL SAFETY MEASURES:

1. Use only insulated staples or plastic ties to secure cords.
2. Not intended for recessed installation in ceilings or soffits.
3. LEDs are bright! Do not look directly at lighted fixture.
4. Keep lamp away from curtains, draperies and similar flammable materials.
5. LEDs are not serviceable. Do not attempt to open or service LEDs or LED housing.
6. For indoor use only.

IMPORTANT SAFETY INSTRUCTIONS:

This product has a polarized plug (one blade is wider than the other) as a feature to reduce the risk of electric shock. This plug will fit in a polarized outlet only one way. If the plug does not fit fully in the outlet, reverse the plug. If it still does not fit, contact a qualified electrician. Never use with an extension cord unless plug can be fully inserted. Do not alter the plug.