



Project:

Location:

Fixture Type:

Catalog Number:

AVAILABLE FINISHES:



Flamme

WS-W18416

PRODUCT DESCRIPTION

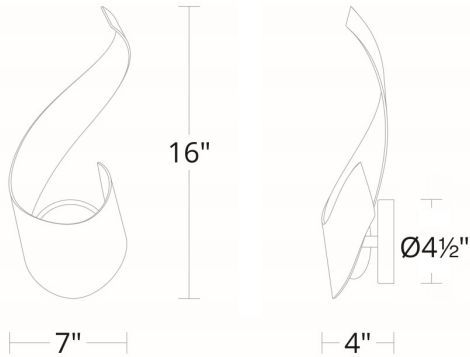
A timeless twist. Curving upwards, a handcrafted, bent metalwork ribbon conceals an LED light source that delivers warm, upward and downward illumination to its surroundings.

FEATURES

- ACLED driverless technology
- Up and down illumination
- Bent metalwork. Each unique handcrafted piece lends itself to variations in curvature
- 0-10V dimming option available (special order), unit dimensions: 3.4" x 1.2" x 0.5" (model#LDS065M010AFE-LO1)

SPECIFICATIONS

Rated Life	54000 Hours
Standards	ETL, cETL, Wet Location Listed, IP65, ADA
Input	120 VAC, 50/60Hz
Dimming	ELV: 100-5%, TRIAC: 100-5%
Mounting	Can be mounted on wall vertically or upside down
Color Temp	3000K
CRI	90
Construction	Extruded bent aluminum body with mouth blown glass diffuser



WS-W18416

Model & Size	Color Temp	Finish	LED Watts	LED Lumens	Delivered Lumens
WS-W18416 16"	3000K	BK Black	12.1W	1000	273

Example: **WS-W18416-BK**

For custom requests please contact customs@modernforms.com