



Project:

Location:

Fixture Type:

Catalog Number:

AVAILABLE FINISHES:



Kinetic

PD-61728

PRODUCT DESCRIPTION

Whether you think of gyroscopes, the atomic structure or da Vinci's "L'Uomo Vitruviano," Kinetic has deep roots in science, exemplified by brilliant edge-lit LED panels that broadcast 360-degrees of seamless, even light. Even better, those rings are adjustable for a personalized look. New and noteworthy here is the smaller 28" size and a matte black finish—but you can still get the 38" and the original titanium too.

FEATURES

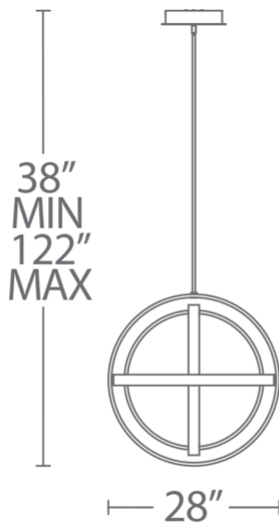
- Driver concealed within the canopy
- Silicon diffusers for even illumination
- Edge-lit LED panels provide even illumination
- Rotatable rings for customizable form
- Slope ceiling adaptable. Hang straight swivels up to 90 degrees

SPECIFICATIONS

Rated Life	50000 Hours
Standards	ETL, cETL, Damp Location Listed
Input	120-277V, 50/60Hz
Dimming	0-10V
Color Temp	3500K
CRI	80
Construction	Aluminum hardware, silica gel diffuser

REPLACEMENT PARTS

- RPL-ROD-IN06-BK-01 - 6" Rod - BK finish
- RPL-ROD-IN06-TT-01 - 6" Rod - TT finish
- RPL-ROD-IN06-BB-01 - 6" Rod - AB finish
- RPL-ROD-IN12-BK-01 - 12" Rod - BK finish
- RPL-ROD-IN12-TT-01 - 12" Rod - TT finish
- RPL-ROD-IN12-BB-01 - 12" Rod - AB finish

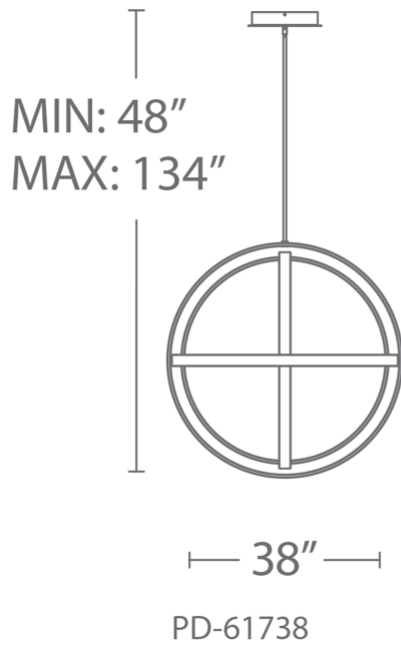


PD-61728

Model & Size	Color Temp	Finish	LED Watts	LED Lumens	Delivered Lumens
PD-61728 28"	3500K	AB Aged Brass	130W	3100	2937
	3500K	BK Black	130W	3100	2937
	3500K	TT Titanium	130W	3100	2937

Example: **PD-61728-TT**

For custom requests please contact customs@modernforms.com



Project:

Location:

Fixture Type:

Catalog Number:

AVAILABLE FINISHES:



Kinetic

PD-61738

PRODUCT DESCRIPTION

Whether you think of gyroscopes, the atomic structure or da Vinci's "L'Uomo Vitruviano," Kinetic has deep roots in science, exemplified by brilliant edge-lit LED panels that broadcast 360-degrees of seamless, even light. Even better, those rings are adjustable for a personalized look. New and noteworthy here is the smaller 28" size and a matte black finish—but you can still get the 38" and the original titanium too.

FEATURES

- Driver concealed within the canopy
- Silicon diffusers for even illumination
- Edge-lit LED panels provide even illumination
- Rotatable rings for customizable form
- Slope ceiling adaptable. Hang straight swivels up to 90 degrees

SPECIFICATIONS

Rated Life	50000 Hours
Standards	ETL, cETL, Damp Location Listed
Input	120-277V, 50/60Hz
Dimming	0-10V
Color Temp	3500K
CRI	80
Construction	Aluminum hardware, silica gel diffuser

REPLACEMENT PARTS

- RPL-ROD-IN06-BB-01 - 6" Rod - AB finish
- RPL-ROD-IN06-BK-01 - 6" Rod - BK finish
- RPL-ROD-IN06-TT-01 - 6" Rod - TT finish
- RPL-ROD-IN12-BB-01 - 12" Rod - AB finish
- RPL-ROD-IN12-BK-01 - 12" Rod - BK finish
- RPL-ROD-IN12-TT-01 - 12" Rod - TT finish

Model & Size	Color Temp	Finish	LED Watts	LED Lumens	Delivered Lumens
PD-61738 38"	3500K	AB Aged Brass	202W	4374	3499
	3500K	BK Black	202W	4374	3499
	3500K	TT Titanium	202W	4374	3499

Example: **PD-61738-TT**

For custom requests please contact customs@modernforms.com