



Project:

Location:

Fixture Type:

Catalog Number:

**AVAILABLE FINISHES:**



## Acid

PD-15604

**PRODUCT DESCRIPTION**

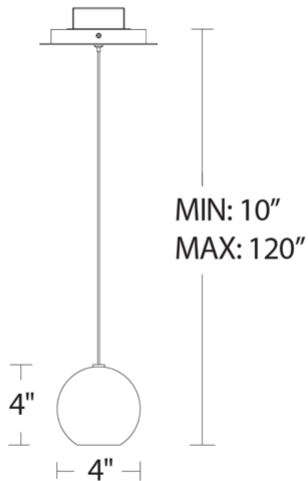
Surrealistic droplets of metallic liquid artfully suspended. Powerful LED downlights concealed within these steel shades provide functional illumination. String individually or droptem in clusters. From single pendants to symphonic chandelier arrangements, these stunning pieces transform any space to an opulent décor dream.

**FEATURES**

- Driver installed within the Junction Box, driver dimension: 2.8" x 1.3" x 1.2"
- Steel hardware
- Can be mounted on a sloped ceiling
- Thin powered aircraft cables provide an ultra clean look for adjustable suspension height

**SPECIFICATIONS**

Rated Life	70000 Hours
Standards	ETL, cETL,Damp Location Listed
Input	120-277V,50/60Hz
Driver Dimension	2.8" x 1.3" x 1.2"
Dimming	ELV
Color Temp	3000K
CRI	90
Construction	Steel body with glass diffuser



PD-15604

**REPLACEMENT PARTS**

RPL-GLA-66612 - Glass  
HDW-FG20-MA - Hardware pack

Model & Size	Color Temp	Finish	LED Watts	LED Lumens	Delivered Lumens
PD-15604 4"	3000K 3000K	BK Black PN Polished Nickel	11.2W 11.2W	639 639	485 485

Example: **PD-15604-PN**

For custom requests please contact [customs@modernforms.com](mailto:customs@modernforms.com)