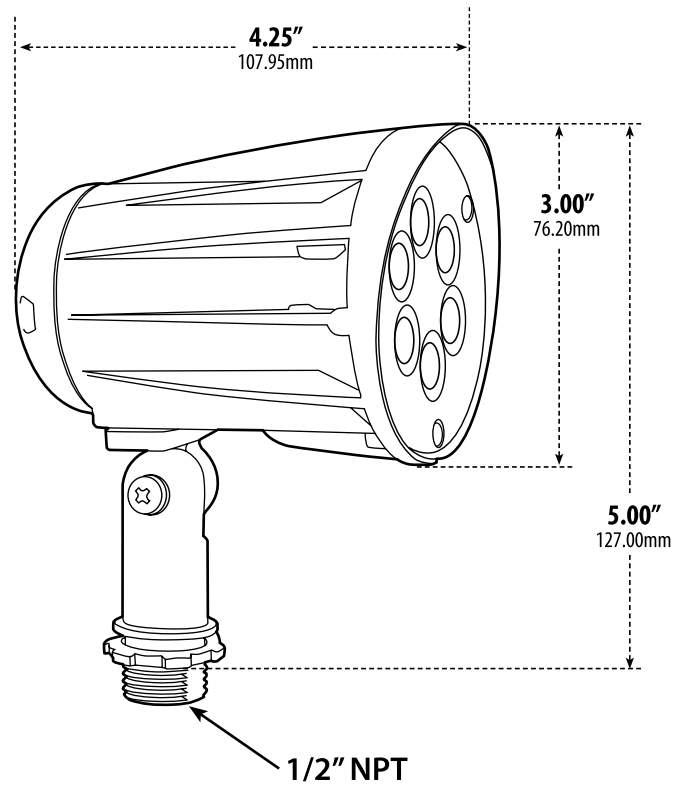
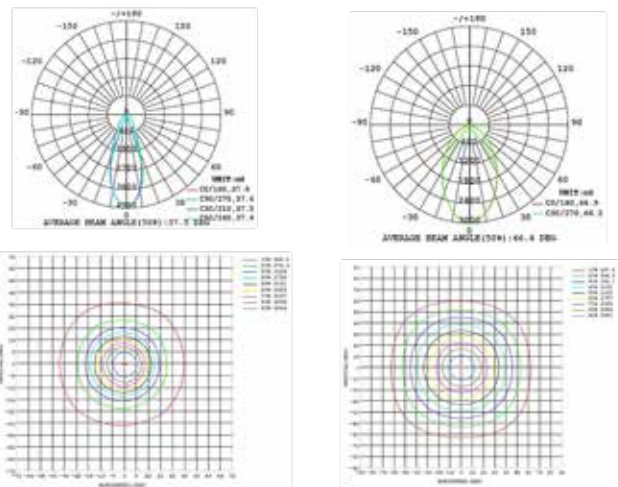


DPR49-LED15

LED DIRECTIONAL SPOT LIGHT



PHOTOMETRY



Maximum Height: 5.75"
 Minimum Height: 5.00"
 Width: 3.00"
 Maximum Depth: 4.25"
 Minimum Depth: 3.75"

Weight: 15oz.
 Approximate Wire Length: 5.00"
 Box Dimensions:
 0"H x 0"W x 0"D

- ▶ **Material:** Powder Coated Cast Aluminum
- ▶ **Lens:** Clear, Heat Resistant, Polycarbonate
- ▶ **Lamp:** Integrated LED

MODEL NUMBER	LAMP TYPE	ILLUMINANT TYPE	WATTS (W)	VOLTS (V)	LAMP(S) INCLUDED?
DPR49-LED15S	INTEGRATED	LED	15	100-277	YES
DPR49-LED15F	INTEGRATED	LED	15	100-277	YES

- ▶ **Adjustable Knuckle with 1/2" NPT**
- ▶ **Ground Spike Available:** LV-S6 (sold separately)
- ▶ **Lumens (Lm):** 1650Lm
- ▶ **Beam Angle:** DPR49-LED15S - 30° DPR49-LED15F - 60°
- ▶ **Color Temperature:** 4000K
- ▶ **Available Color:** Black, Verde Green
- ▶ **ETL Approval Pending**

DABMAR
 LIGHTING

DABMAR LIGHTING INCORPORATED

320 Graves Ave . Oxnard, CA 93030 . 805.604.9090 . f: 805.604.9050 . www.dabmar.com
 4693 19th Street Ct E . Bradenton, FL 34203