



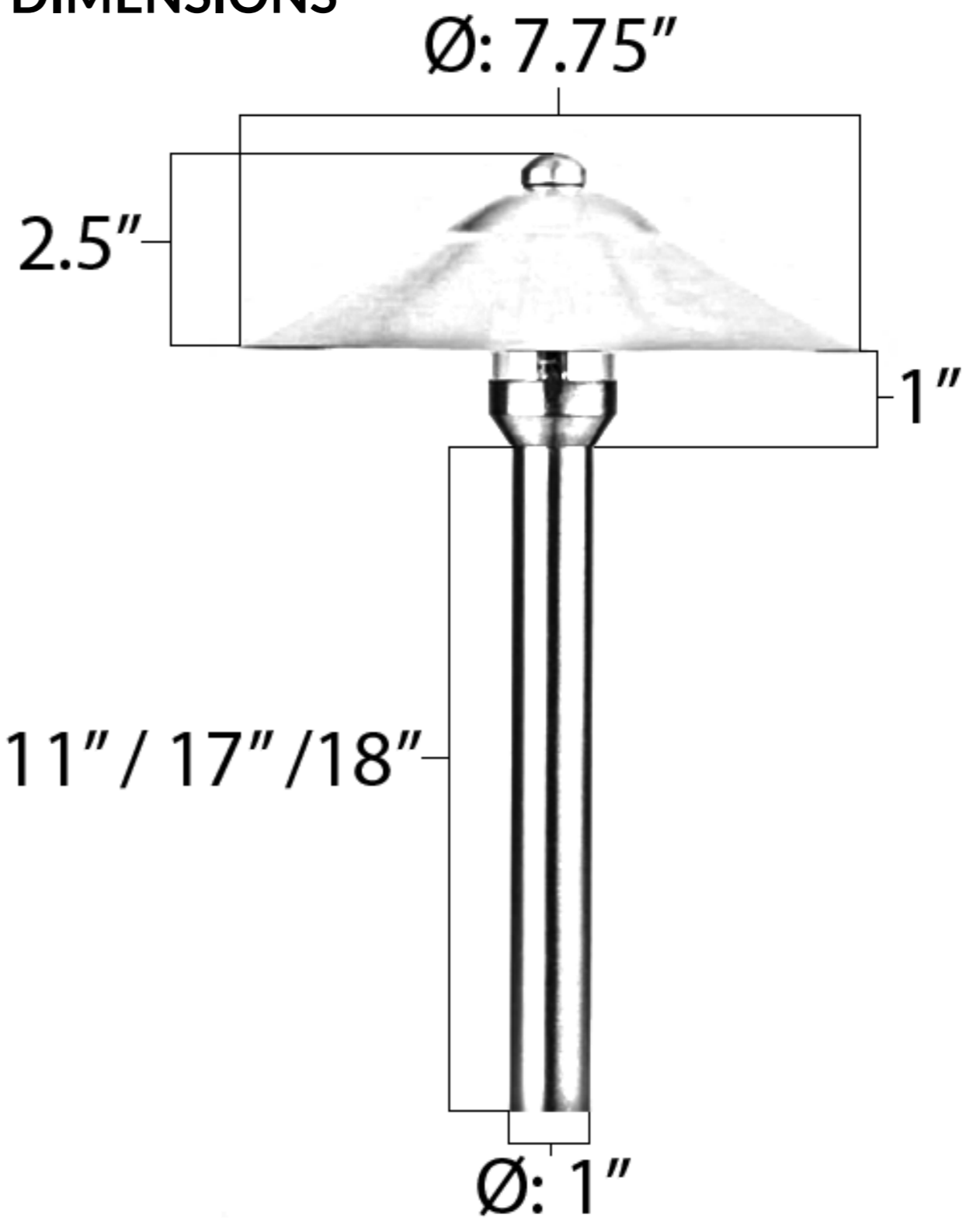
12V / 120V Raw Copper Dome Shade Pathway Light

DESCRIPTION

Material: Cast Brass / Raw Copper
 Voltage: 12V / 120V
 Socket Type: UL Certified G4 JC Bi-Pin (E230758)
 Bulb Type: JC Bi-Pin Cluster
 Wiring: 36" Lead w/ Ground
 Power Rating: 35w Max
 Mounting: Surface
 Fixture Weight: 1.65 lbs



DIMENSIONS



ORDERING INFORMATION

PASH-L-100-RC	VOLTAGE	Stem Height		LED BULB
	12V	11	11"	CW12V 12V 2.3W 270 Lumens Cool White 5000K LED
	120V	17	17"	WW12V 12V 2.3W 270 Lumens Warm White 2700K LED
		18	18"	CW120V 120V 2.3W 270 Lumens Cool White 5000K LED
				WW120V 120V 2.3W 270 Lumens Warm White 2700K LED

PASH-L-100-RC - ____ - ____ - ____

Fixture Type: _____

Job Name: _____

Notes: _____

