



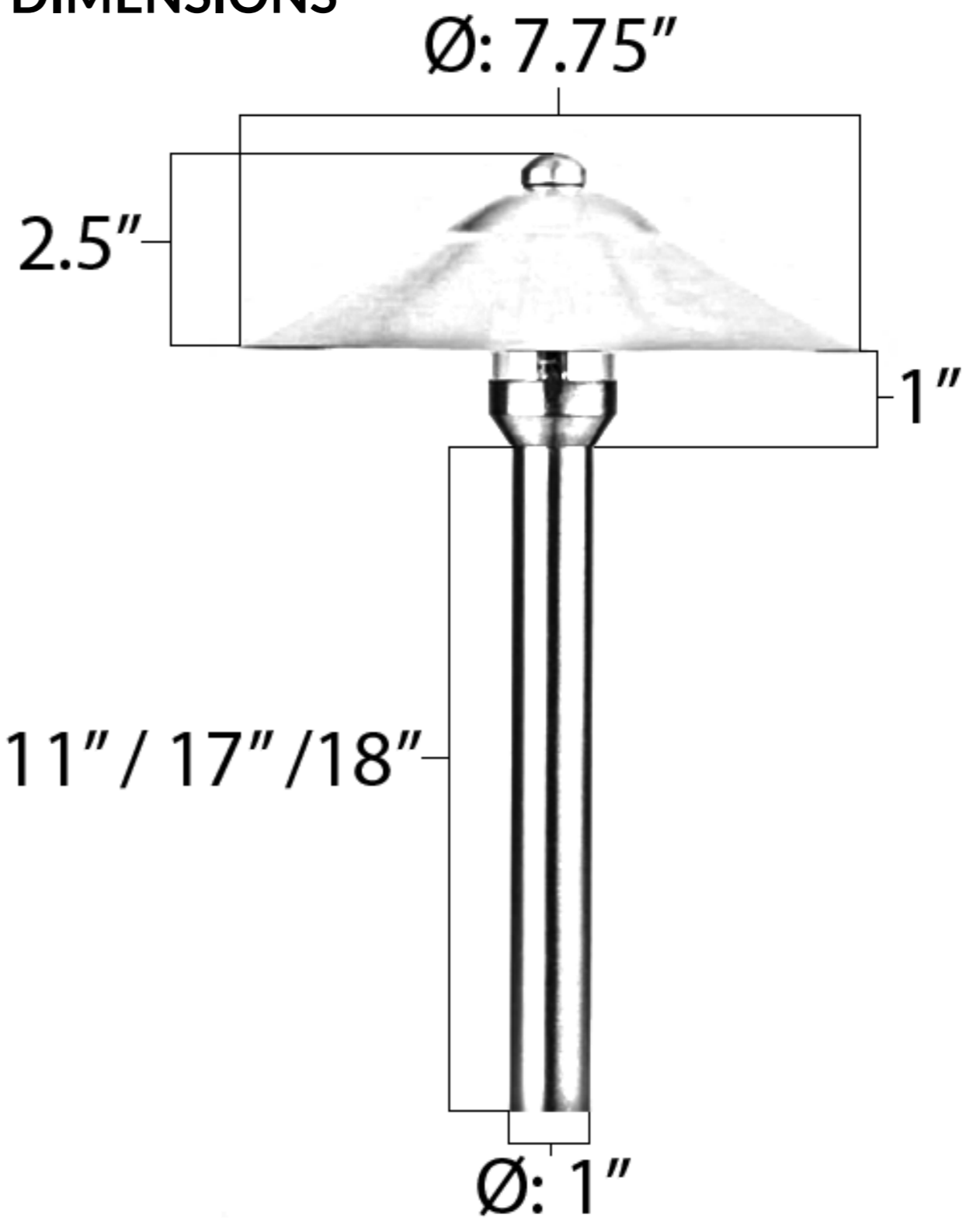
## 12V / 120V LED Raw Copper Dome Shade Pathway Light

### DESCRIPTION

Material: Cast Brass / Raw Copper  
 Voltage: 12V / 120V  
 Socket Type: UL Certified G4 JC Bi-Pin (E230758)  
 Bulb Type: JC Bi-Pin Cluster  
 Wiring: 36" Lead w/ Ground  
 Power Rating: 35w Max  
 Mounting: Surface  
 Fixture Weight: 1.65 lbs



### DIMENSIONS



### ORDERING INFORMATION

LED-PASH-L-100-RC	VOLTAGE	Stem Height	LED BULB
	12V	11 11"	CW12V 12V 2.3W 270 Lumens Cool White 5000K LED
	120V	17 17"	WW12V 12V 2.3W 270 Lumens Warm White 2700K LED
		18 18"	CW120V 120V 2.3W 270 Lumens Cool White 5000K LED
			WW120V 120V 2.3W 270 Lumens Warm White 2700K LED

LED-PASH-L-100-RC - \_\_\_\_ - \_\_\_\_ - \_\_\_\_

Fixture Type: \_\_\_\_\_

Job Name: \_\_\_\_\_

Notes: \_\_\_\_\_

